

# ASPECT LED Floodlight Range

Replaces Traditional Metal Halide Floodlights



CREATE • INSPIRE • INNOVATE



## Features & Benefits

- Engineered to operate in high temperatures
- High quality Aluminium housing
- Angled bracket for electrician quick fix
- IP65 rated for outdoor applications



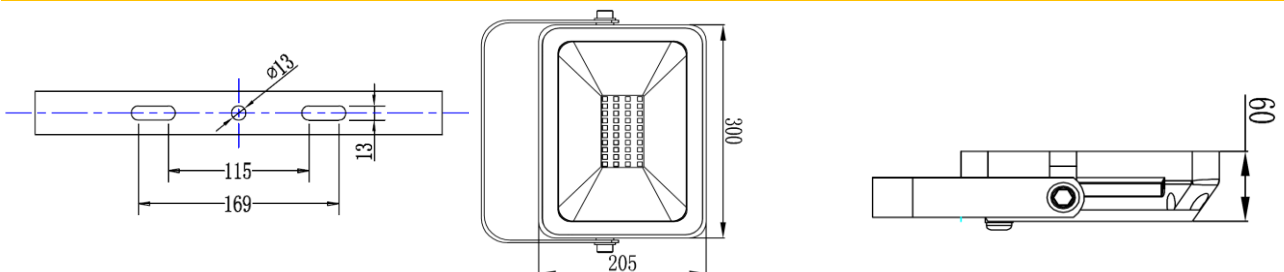
## Applications

- Car Parks
- Outdoor Areas
- Security lights
- Gardens

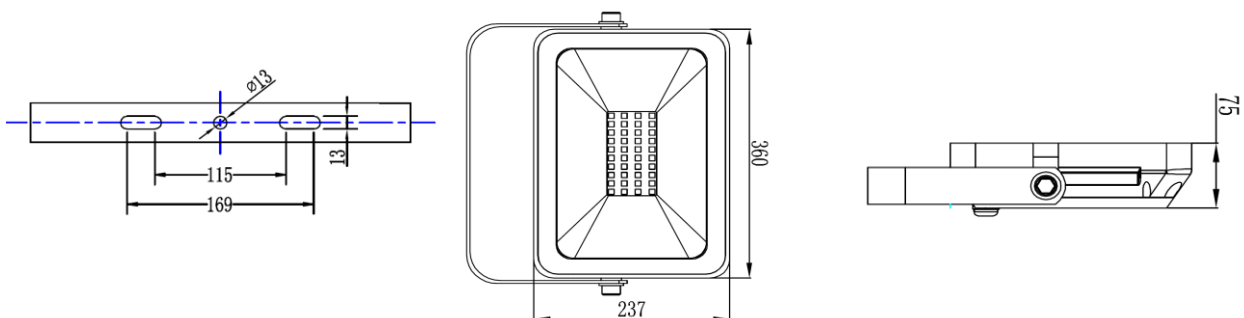


## Dimensional Drawings

### 100W ASPECT MODEL



### 150 & 200W ASPECT MODELS



\* All dimensions are given in mm

## SPECIFICATIONS

	MX104100	MX104150	MX104200
<b>KEY INFORMATION</b>			
Input Power	100W	150W	200W
Dimensions (mm)	300x205x60	360x237x75	360x237x75
Weight	2.5KG	4KG	4KG
IP Ratings		IP65	
IK ratings		TBC (Awaiting Test Results)	
Trim/Surface Colour		Black	
Flex & Plug		1.5m Flex & 3pin plug	
L70 Lifetime		Reported: >36,000hrs	
Operating Temperature		40°C	
Warranty		Commercial 5 Years	

## PHOTOMETRIC

LED		SMD 2835	
Lumens	9000lm	13500lm	17500lm
CRI		≥80	
Beam angle		120°	
Colour Temperature (CCT)		5000K	

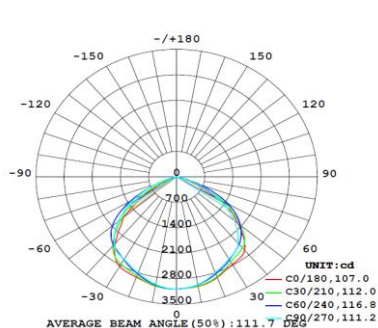
## ELECTRICAL

Driver		Internal Non Dimmable	
Supply Input Ratings		220-240Vac, 50/60Hz	
Driver Output Ratings		N/A	
Power Factor		>0.9	
Sensor Capability		No	

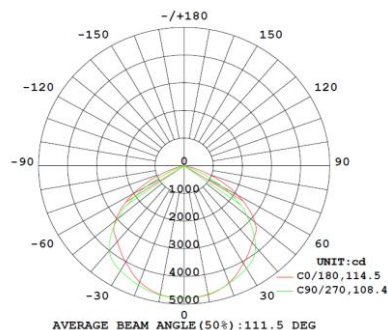
## COMPLIANCE



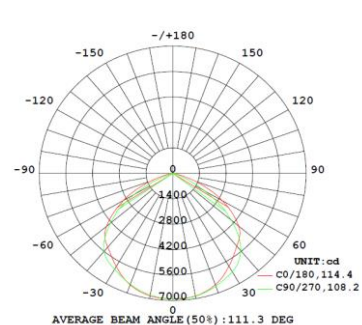
## PHOTOMETRIC DIAGRAM



100W



150W



200W